

## Conductivity probe type EL22

### Application and function

The level probe EL 22 in connection with the controller FAR1 and a desalting valve is a continuous desalting regulation.

In connection with the controller FLB1 the probes serves as conductivity limitation

### Technical basic equipment

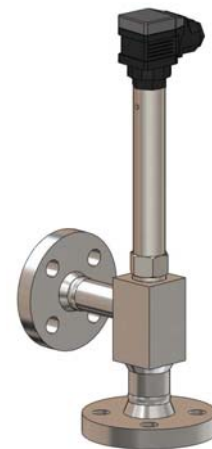
Mechanical connection	G ½ (SW27)	
	with T-connection for mounting on boiler	
Electrical connection	Plug connection with screw terminals, traction relief	
Material	Probe housing	stainless steel
	Probe rod	stainless steel
	Insulator	PTFE
	Socket	Polyamid
	Sealing ring	Soft iron
	T-connection	1.0460

### Technical data

Copmponent mark	TÜV ID: 0000006175		
Allowable pressure	PS	[bar]	32
Allowable temperature	TS	[° C]	239
Cable gland			M16x1,5
Protection as per DIN VDE 0470			IP65
Allowable temperature on plug			100° C

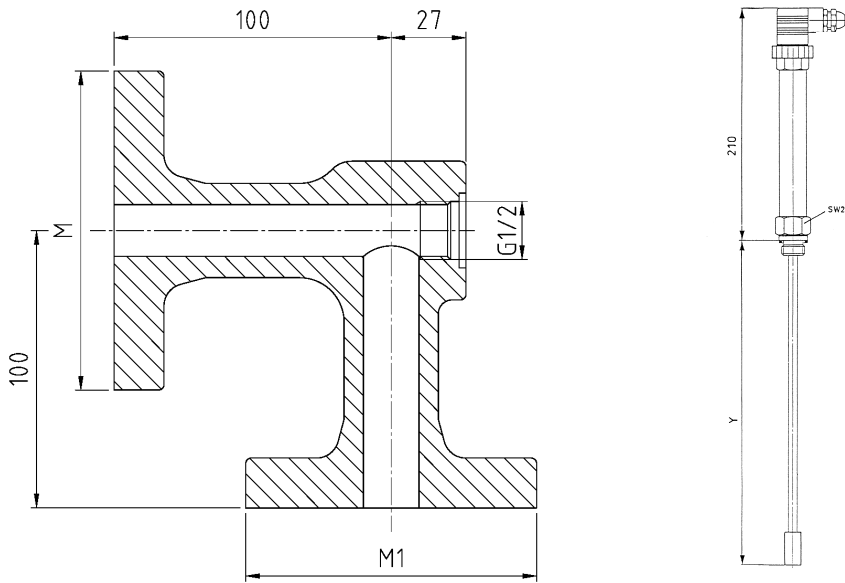
- Installation vertical and inclined up to 90°
- other dimensions and materials up on request
- screws, nuts and gaskets deliverable

**Caution! Never shorten or prolong the probe**



- Baumuster geprüft
- Fertigung überwacht





PN	Process connection M		Connection desalting valve M1	
	DN	DIN 2535 Form B	DN	DIN 2535 Form B
40	20		DIN 2535 Form B	
	25	20		

